

Heater Timer (Modul)

EN Installation instructions for heater timer

Cat. No. of heater timer with display in German

- for adjustable air heaters 12V/24V 22 1000 30 38 00
- for water heaters 12V/24V 22 1000 30 34 00

Cat. No. of heater timer with display in English

- for adjustable air heaters 12V/24V 22 1000 30 40 00
- for water heaters 12V/24V 22 1000 30 36 00

Cat. No. of fasteners: 25 1482 70 01 00

The fasteners include:

1 surround, 2 cover caps, fastening screws

Note:

- for 24V: light bulb is fitted
- for 12V: light bulb is included in the delivery, please replace where necessary.

Installation of the heater timer

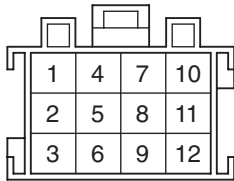
With a wall thickness of 1.5 to 3 mm, the heater timer can be installed without the surround (see sketch 1).

Installation with the surround is necessary when the wall thickness exceeds 3 mm, or if accuracy of the cutout cannot be ensured (see sketch 2).

Make the cutout as shown in sketch 1 or 2 and insert the heater timer into the cutout.

Connector allocation

Cable input side (view from behind)



Connector allocation, 12-pole connector housing

Chamber	Designation	Normal mode (with preselect TP 4i)	ADR / ADR99 mode (preselect TP 4i blocked)
1	Terminal 58(+) lighting	○ / □	○ / □
2	S+ switch-on signal	● / ■ yellow (+)	● / ■ yellow (+)
3	Outside temperature sensor/continuous or heating without terminal 15 (ignition)	○ / □ ○ / □ bridge between 3 and 12 (-)	- / - ○ / □ bridge between 3 and 12 (-)
4	ADR / ADR99-deactivation (-)	● / ■ bridge between 4 and 12 (-)	- / -
5	Outside temperature sensor or ADR / ADR99 feedback (+)	○ / □	● / ■ white/red (+)
6	Target temperature (+)	● / - grey/red	● / - grey/red
7	External heating button (-)	○ / □	○ / □
8	Diagnosis	○ / □ blue/white	○ / □ blue/white
9	Target temperature (-)	● / - brown/white	● / - brown/white
10	Terminal 15(+) ignition	○ / □	○ / □
11	Terminal 30(+) supply (5A)	● / ■ red (+)	● / ■ red (+)
12	Terminal 31(-) supply	● / ■ brown (-)	● / ■ brown (-)

for air heaters:

- = necessary standard feature
- = optional extra
- = connection stays open

for water heaters:

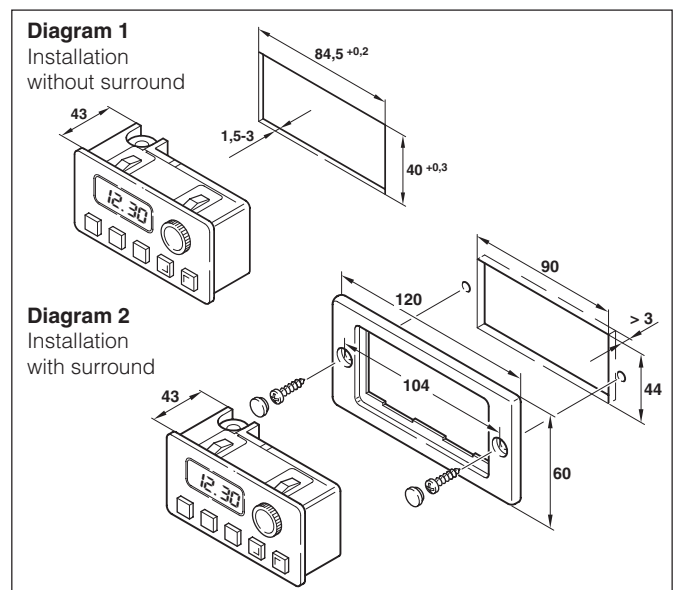
- = necessary standard feature
- = optional extra
- = connection stays open

ADR

European agreement about the international transport of dangerous goods on the road.

ADR99

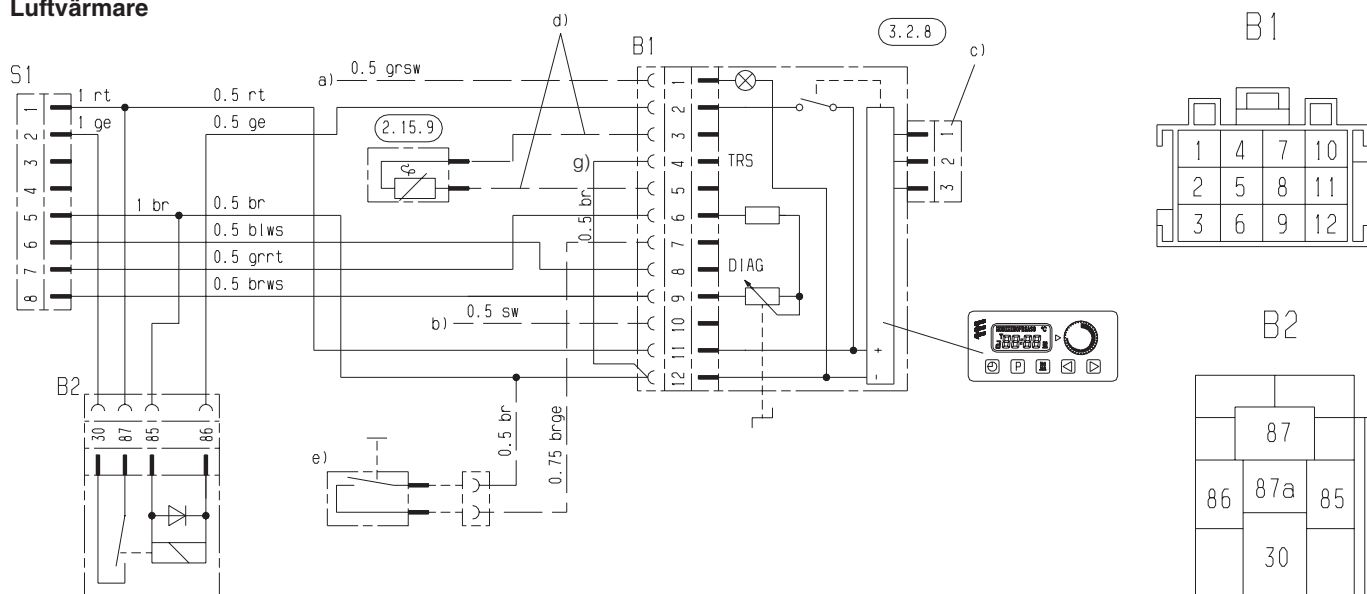
Dangerous goods regulations for France.



Bei Uhren-Austausch: Anschluss von Heizgeräten mit externen Steuergeräten*

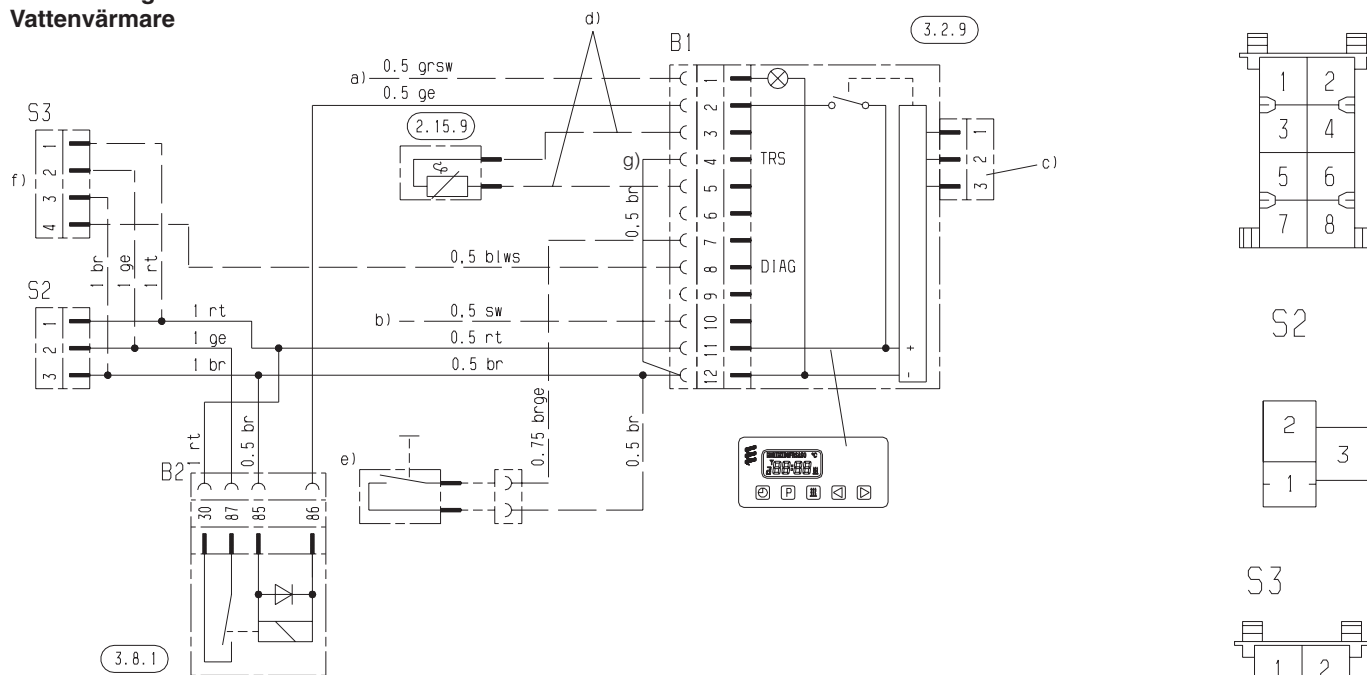
Vid klockbyte: Anslutning av värmare med externa styrdon*

Luftheizgeräte Luftvärmare



3.8.1

Wasserheizgeräte Vattenvärmare



3.8.1

Teilleiste

- 2.15.9 Fühler, Außentemperatur
- 3.2.8 Schaltuhr, ADR / ADR99, Potentiometer
- 3.2.9 Schaltuhr, ADR / ADR99
- * 3.8.1 Rüstsatz 22 1000 30 97 00, 12V/24V
(nicht erforderlich bei B5W/20 1690 05 und D5W/25 1732 05)
- a) Beleuchtung Klemme 58
- b) an Klemme 15 (Zündung)
- c) Anschluss Funkmodul
- d) Anschluss Fühler, Außentemperatur
- e) Anschluss externe Taste Ein/Aus
- f) bei Bedarf S2 entfernen und S3 montieren
(entsprechender Gegenstecker)
- g) Leitungsbrücke bei Normalbetrieb erforderlich
(nicht bei ADR / ADR99)

Del-lista

- 2.15.9 Sensor, yttertemperatur
- 3.2.8 Kopplingsklocka, ADR / ADR99, potentiometer
- 3.2.9 Kopplingsklocka, ADR / ADR99
- * 3.8.1 Monteringsats 22 1000 30 97 00, 12V/24V
(krävs ej för B5W/20 1690 05 och D5W/25 1732 05)
- a) belysning klämma 58
- b) till klämma 15 (tändning)
- c) anslutning radiostyrningsmodul
- d) anslutning sensor, yttertemperatur
- e) anslutning extern knapp Till/Från
- f) tag vid behov bort S2 och montera S3
(respektive motkontakt)
- g) I normal drift krävs en ledningsbrygga
(ej för ADR / ADR99)

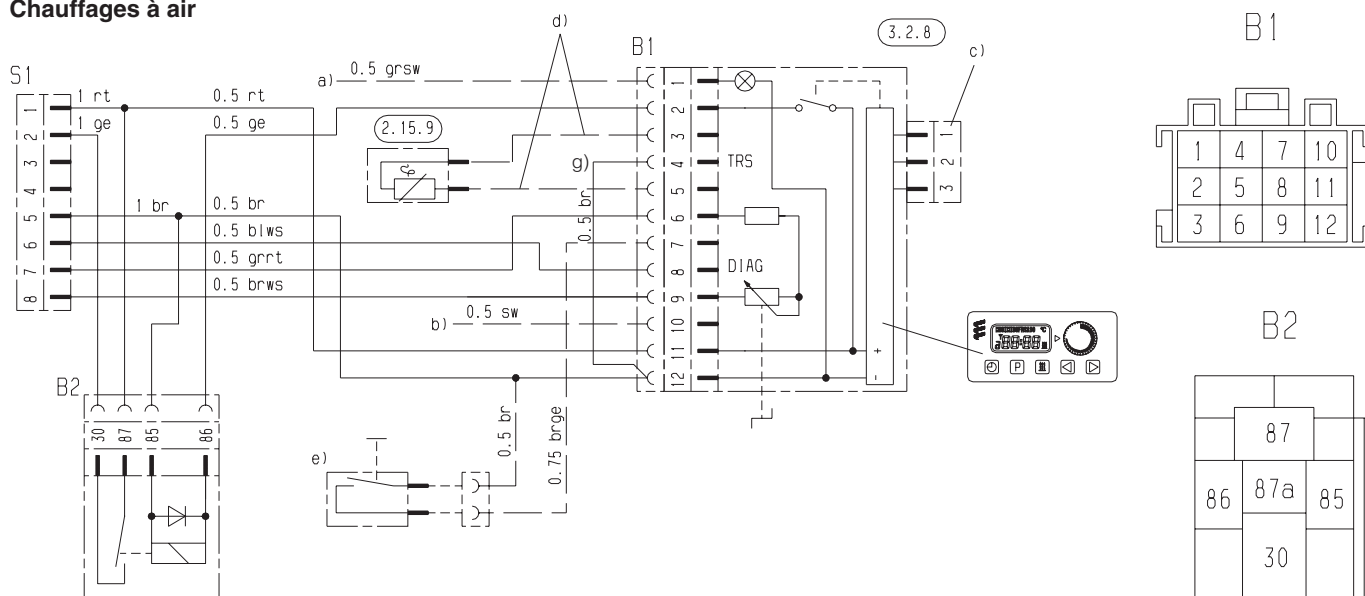
Stecker- und Buchsengehäuse sind von der Leitungseintrittsseite dargestellt.

Stickproppar och uttagshus visas sett från ledningsgångssidan.

When replacing timers: connection of heaters with external control units*

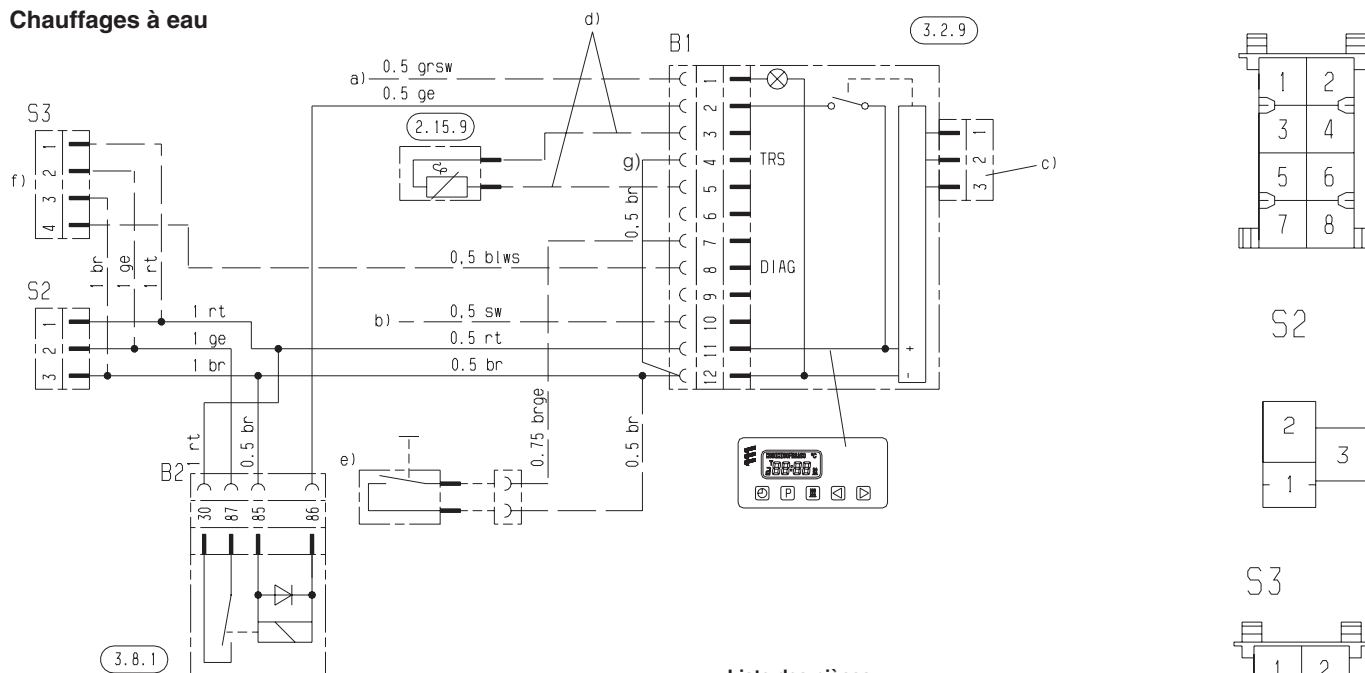
Pour remplacer la minuterie: raccordement de chauffages avec des appareils de commande externes*

Air heaters Chauffages à air



3.8.1

Water heaters Chauffages à eau



3.8.1

Parts list

- 2.15.9 Sensor, outside temperature
- 3.2.8 Timer, ADR / ADR99, potentiometer
- 3.2.9 Timer, ADR / ADR99
- * 3.8.1 Mod. Kit 22 1000 30 97 00, 12V/24V (not necessary for B5W/20 1690 05 and D5W/25 1732 05)
- a) lighting terminal 58
- b) to terminal 15 (ignition)
- c) connection radio module
- d) connection sensor, outside temperature
- e) connection external on/off button
- f) if necessary, remove S2 and mount S3 (corresponding counter-connector)
- g) Bridge required for normal operation (not for ADR / ADR99)

Liste des pièces

- 2.15.9 sonde, température extérieure
- 3.2.8 minuterie, ADR / ADR99, potentiomètre
- 3.2.9 minuterie, ADR / ADR99
- * 3.8.1 Jeu de rattrapage 22 1000 30 97 00, 12 V/24 V (pas requis pour B5W/20 1690 05 et D5W/25 1732 05)
- a) éclairage borne 58
- b) sur borne 15 (allumage)
- c) raccord module radio
- d) raccord sonde, température extérieure
- e) raccord touche externe Marche/Arrêt si nécessaire, enlever S2 et monter S3 (contrefiche correspondante)
- f) En mode de service normal, pontage de lignes requis (pas pour ADR / ADR99)
- g) En mode de service normal, pontage de lignes requis (pas pour ADR / ADR99)

Connector and bushing housings are shown from the cable intake side.

Les fiches et les boîtiers à douilles sont représentés vus côté introduction des câbles.